



DC 24V Ups Psu Series For Fire & Safety Application

Super cost effective Strong safe performance
Military level products with multiple authorized certifications



- 3A
 5A
 10A
 20A
 30A
 50A
 60A



Strong Anti-Lightning Function

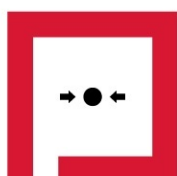


High Efficiency

Perfect Standby Power Supply Management, in case of commercial AC power cut, the product can seamless switch to standby power supply automatically. Sufficient power to meet the emergency requirement of high power.

Strong anti-lightning function to cope with frequent natural lightning environment; With multiple protections, strong under-voltage, over-voltage, over-current, safer and reliable.

PSU series adopt Lead-acid batteries, while PNC series adopt Lead-acid & Ni-cad batteries, designed according to the EU standards: EN55022 Class A, EN61000 and EN90950, etc.



PACIFIC LEADER TECHNOLOGY LIMITED

迅 高 科 技 有 限 公 司

TEL: (852) 3185 4111 FAX: (852) 3499 1160

ADD: 香港九龍灣宏照道 15 號金聯大廈 3 樓 A 室

商務熱線

(852) 3185 4111

www.pacificleader.hk

System Advantages

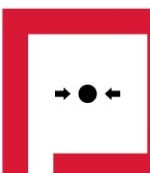
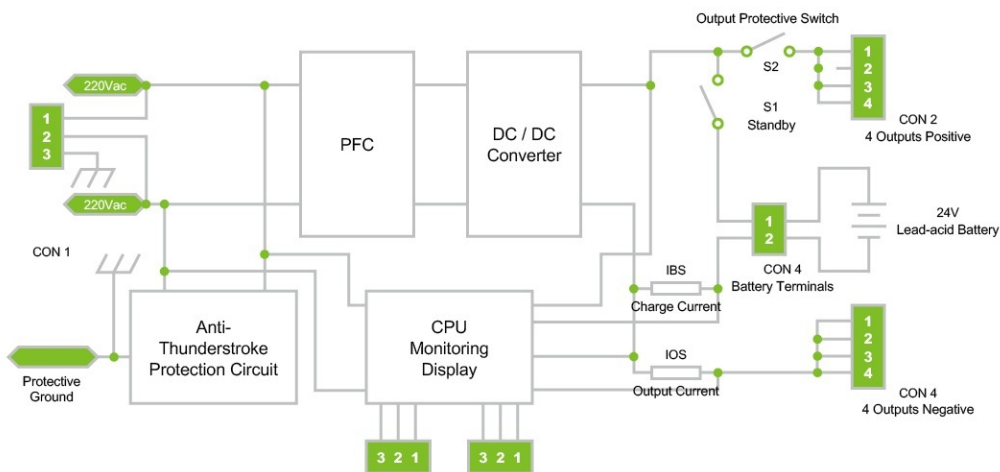
- Wide product range to meet the different requirement of power.
- Powerful functions, with perfect power management features, seamlessly transfer;
- With Over-voltage, under-voltage, over-discharge, over-temperature etc. fault alarms and self protection function;
- High efficiency, enhance the energy utilization rate, reducing energy consumption;
- Support boost charge, to meet the needs of the emergency requirement of power supply;
- Large instantaneous output power meets the high current demand in the unexpected accidents;
- Strong anti-lightning capability;
- Rich display and various technical indicators just at a glance;
- With audible and visual alarms;
- Strong capacity to resist Input voltage fluctuation;
- Modular design, easy to install, replace and maintain;
- Military level quality, reliable quality;
- Perfect after-sales service.

Working Principal

- The principle diagram of the system as follows:
The commercial power is at first applied via the AC input terminals of power supply module, and then converted into DC24V to charge standby battery and power load by the blocks of PFC(Power Factor Correction) and DC/DC converter. The system charges the battery with constant voltage and constant current; i.e. when the battery is under charged, the system charges it with constant current, when the battery is fully charged, the system switches over to the output mode of constant voltage. There is a internal CPU in the system, it can monitor and indicate value of AC input voltage, DC output voltage, output current, charge current and approximate charge capacity of the internal battery.
- Both of the CPU and hardware detect the limits of voltage and current and will alarm when the limits are exceeded. The hardware controls charge and switchover between primary and standby power supplies, ensuring death of CPU doesn't affect operation of the system controlling circuit.
- Battery charge adopts float charging mode, charging voltage is 27.4VDC. If required boost charge, customers can operate by the panel to realize high current charging, and the batteries can be full charged within 8 hours; after the batteries are full charged, the system will return to the nominal charge mode.

Technical specification

Models	PSU-20	PSU-30
Input Voltage	195~264V	
Input Frequency	47~63HZ	
Output Voltage	Nominal Value	24V
	Regulated Value	27.4V (PNC series is 27.6V)
Max Output Current	20A	30A
Nominal Charging Current	3A	5A
Boost Charging Current	15A	20A
MAX Output Power	540W	810W
Output Over-voltage Protection	30V±1V	
Output Over-current Protection	110-130%	
Operation Temperature	-10°C ~+50°C	
Operation Humidity	≤ 95% (40°C)	
Installation Dimension	500x180x550	



PACIFIC LEADER TECHNOLOGY LIMITED

迅高科技有限公司

TEL: (852) 3185 4111 FAX: (852) 3499 1160

ADD: 香港九龍灣宏照道 15 號金聯大廈 3 樓 A 室

商務熱線
(852) 3185 4111
www.pacificleader.hk